

Who we are

We founded our business in 1996 with the company **MULTISERVICE snc**, owner of the Trademark **MTS Elettronica**.

MULTISERVICE designs and manufactures energy conversion devices, types AC/DC and DC/DC. These devices are used mainly in the industrial and tertiary sectors. Over the years, the trademark **MTS Elettronica** established in the domestic and international markets, so the three founders shareholders transformed the company in a limited liability company:

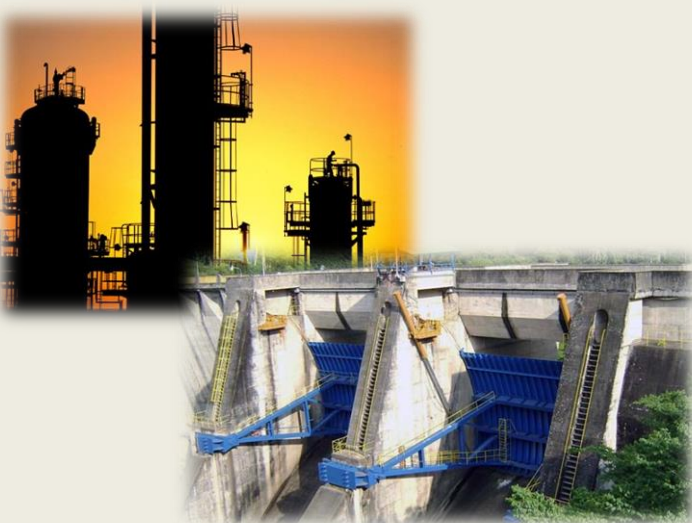
MTS Elettronica Srl.

The headquarter is in Mantua, near the tollgate junction of Northern Mantua (motorway A22 Modena - Brennero). Here we make the business, administrative, design and manufacturing activities. Our know-how, acquired during the years, allow us to offer technologically cutting edge products, equipped with consolidated technologies, which give the finished product a high level of reliability. The great flexibility of our production structure allows us to manufacture focused devices, satisfying more and more the real needs of the markets and designers.

MTS Elettronica Srl develops any activity concerning R&D of its devices, guaranteeing mastery of product, constant service, and an increasing growth of the quality of our devices.

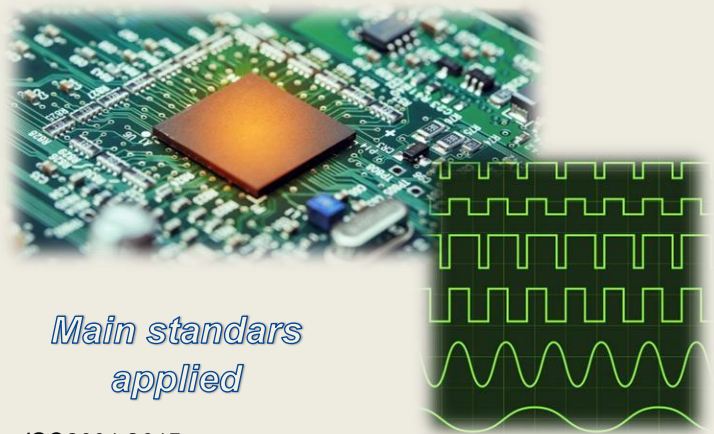
One of the main advantages of **MTS Elettronica Srl** is flexibility, allowing fast answers to the user and customized devices according to any need.

Thanks to the company organisation and the know-how acquired over the years, we are able to manufacture **CUSTOMIZED** devices, which are the foundation of our know-how of constant growth.



Mission

A constant dedication to give solutions in the field of a security electricity supply, thanks to the increase of reliable and suitable DCs, which are designed and personalized to satisfy all the Clientele's expectations



Main standards applied

ISO9001-2015
IEC 62040-5-3
IEC/EN 60146
IEC/EN 61000-6-2
IEC/EN 61000-6-4
IEC/EN 61558-2-6
IEC/EN 61439-1-2
CEI 60947
CEI 20-38
CEI 20-22
CEI 20-45
IEC/EN 60529
IEC/EN 60127-1
IEC 60947-4

Applications field

Oil & Gas
Electric Plant
Hydroelectric Plant
Transports
Industrial Procedures
Technological System
Hospitals

Certification

ISO 9001-2015 certified from 2016



Production

AC/DC converter
DC/DC converter
Battery charge
Distribution panels

International Reference

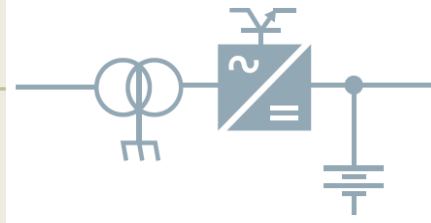
ABB SpA
ACEA SpA
ALSTOM Grid
ANDRITZ HYDRO Srl
AUTOSTRADE BRENNERO
BANCA D'ITALIA
CNR
DEUTSCHE BANCK
EATON SpA
ENEL SpA
EDISON ENERGIA SpA
ATB RIVA CALZONI SpA
IVECO
EDYNA SpA
RFI SpA
Raffineria IES MOL- Mantova
STE ENERGY Srl
SIEMENS
TISCALI -Sardegna

R&D

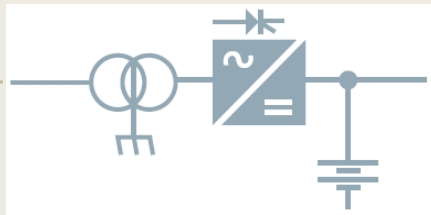
Production

Single Branch rectifier

HF-STEPDOWN IGBT CONVERTER



Ving: 1Ph oppure 3Ph
 Vout (nominal) :24÷48÷110 Vdc
 Iout : 10 ÷ 60 Amp
 Iout : 70 ÷ 100 Amp (Ving : 3Ph)

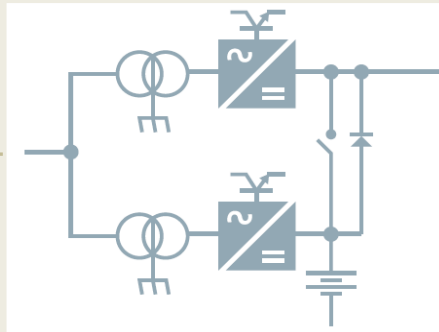


Ving: 3Ph
 Vout (nominal) :24÷48÷110÷220 Vdc
 Iout : 60 ÷ 500 Amp
 Iout : 60 ÷ 250 Amp(220Vdc)

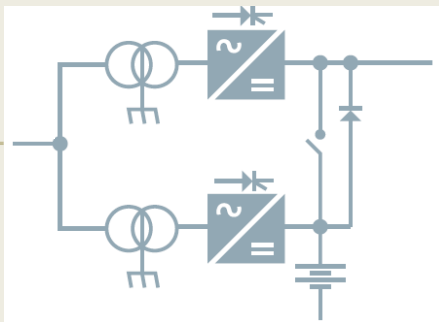
THYRISTOR CONVERTER

Double Branch rectifier

HF-STEPDOWN IGBT CONVERTER



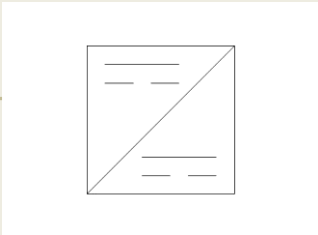
Ving: 1Ph oppure 3Ph
 Vout (nominal) :24÷48÷110 Vdc
 Iout : 10 ÷ 60 Amp
 Iout : 70 ÷ 100 Amp (Ving : 3Ph)



Ving: 3Ph
 Vout (nominal) :24÷48÷110÷220 Vdc
 Iout : 60 ÷ 500 Amp
 Iout : 60 ÷ 250 Amp (220Vdc)

THYRISTOR CONVERTER

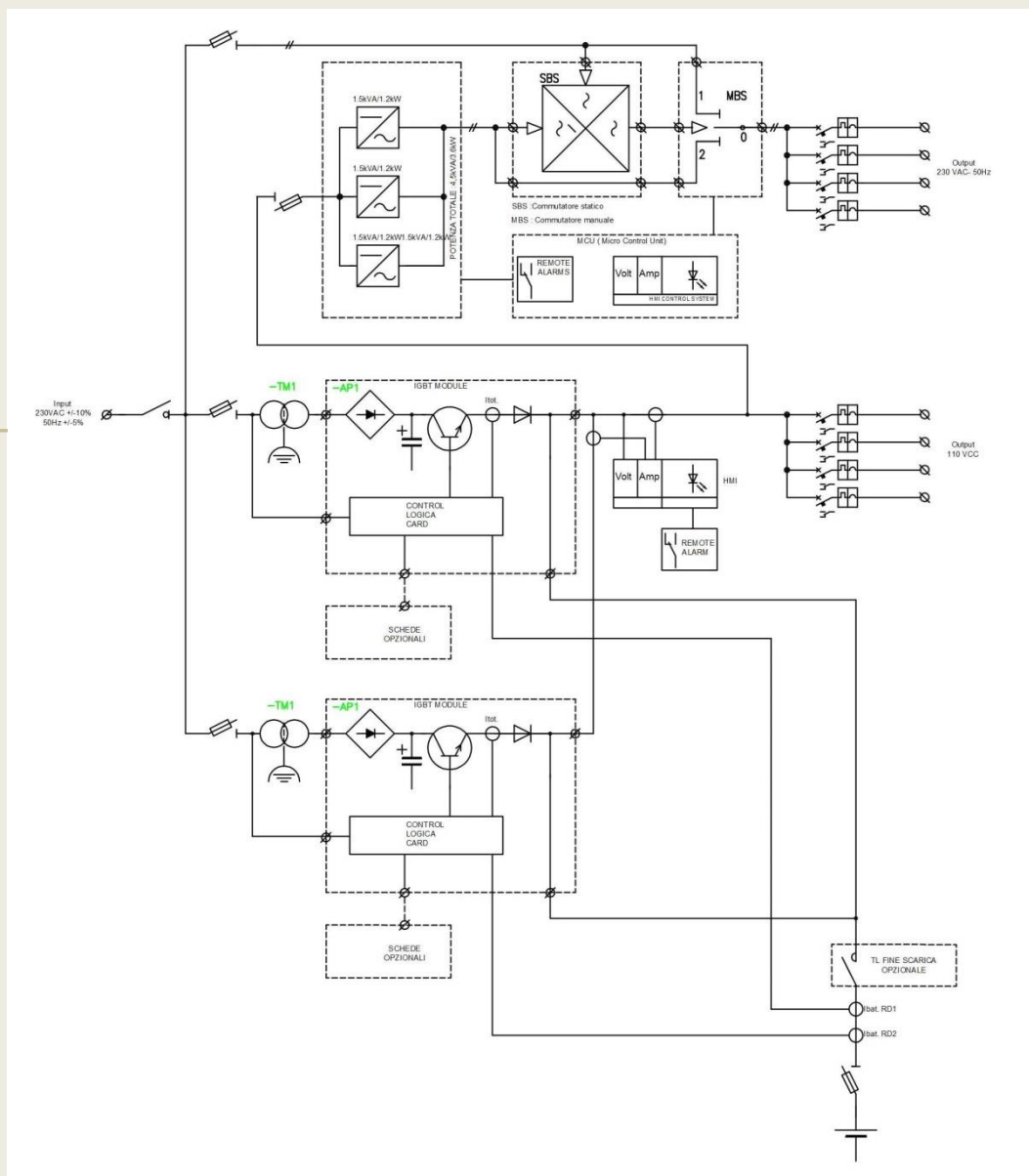
Not isolated
DC/DC converter



Type DC1

Ving: To be defined
Vout (nominal) :24÷48÷110 Vdc
Iout : 10 ÷ 100 Amp

Special Industrial UPS systems



Industrial Battery Chargers for stationary batteries
AGM ÷ GEL ÷ Pb ÷ NiCd

AC/DC and DC/DC
Special devices